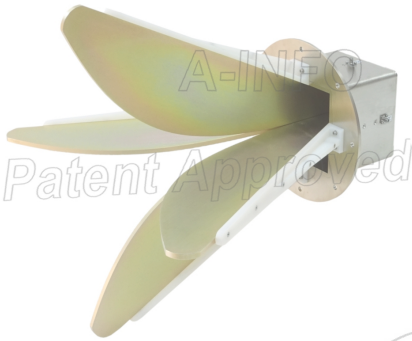


For reference only. See data sheet for the detailed specifications.

Technical Specification

Frequency Range(GHz)	0.4 – 6.0
Gain(dBi)	12 Typ.
Polarization	Dual Linear
3dB Beamwidth(deg)	E Plane: 90 - 24
	H Plane: 137 - 19
Cross Pol. Isolation(dB)	30 Typ. ; 20 Min.
Port to Port Isolation(dB)	35 Typ. ; 20 Min.
VSWR	1.5:1 Typ.
	3.0:1 Max.
Connector	SMA-Female or N-Female
Power Handling(W CW)	SMA-Female: 50 Max.
	N-Female: 50 Max.
Material	Al
Finish	Chemical Conversion Coating and Nickel Plated
Size(mm)	510 x 510 x 550
Net Weight(Kg)	9.50 Around



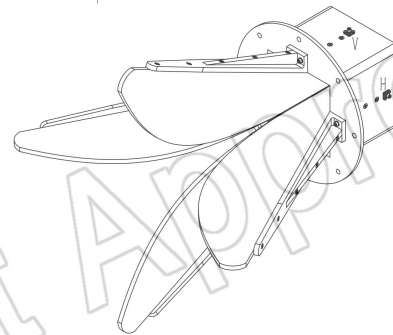
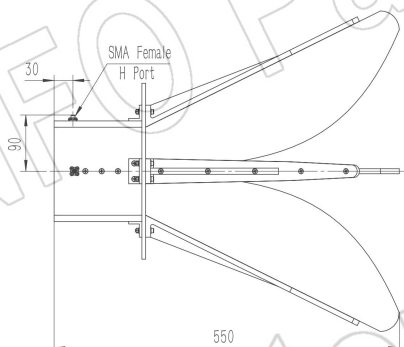
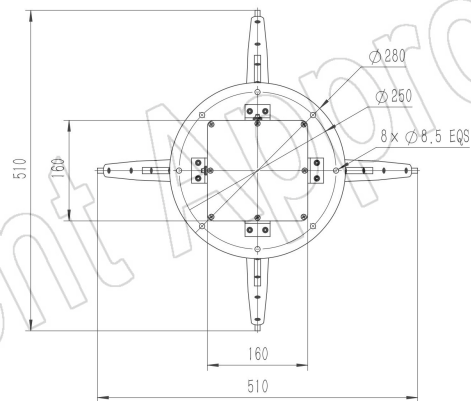
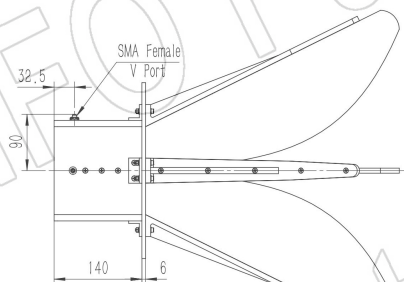
PATENT ID (China)

ZL201630458475.5

Outline Drawing (Size: mm)

SMA-Female Output (P/N: LB-OSJ-0460-SF)

For N-Female output outline drawing, please contact A-INFO



AINFO Inc.

China(Beijing):
China(Chengdu):
USA :

Tel: (+86) 10-6266-7326,
Tel: (+86) 28-8519-2786,
Tel: (+1) 949-639-9688,

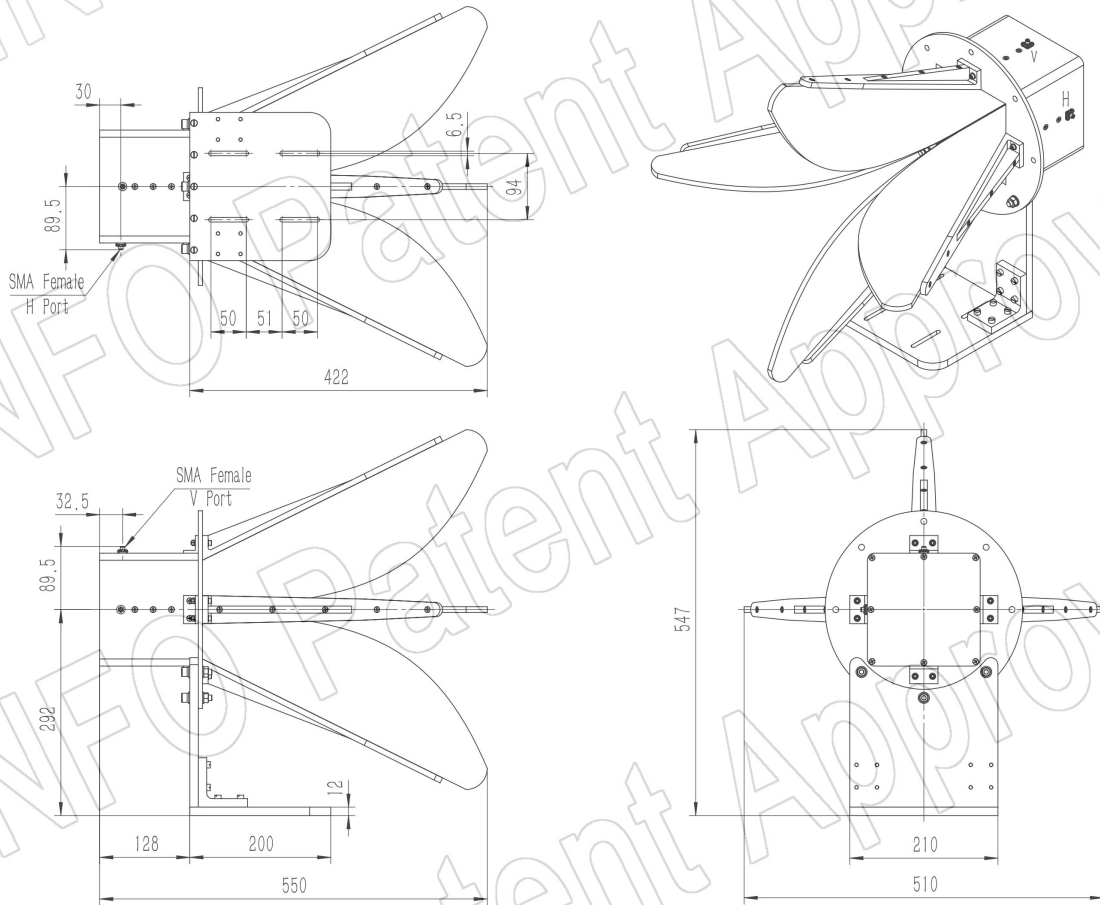
(+86) 10-6266-7327
(+86) 28-8519-3044
(+1) 949-639-9608

Fax: (+86) 10-6266-7379
Fax: (+86) 28-8519-3068
Fax: (+1) 949-639-9670

Website: www.ainfoinc.com
Email: sales@ainfoinc.com

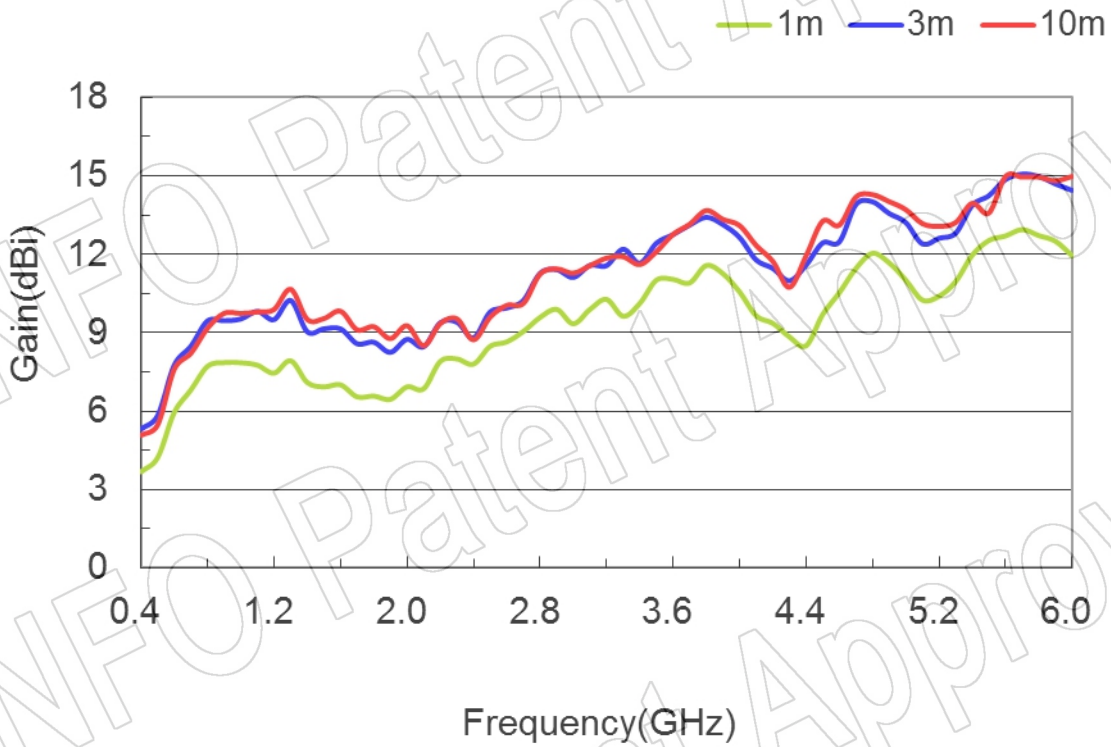
SMA-Female Output with L Type Mounting Bracket (Option, P/N: LB-OSJ-0460-L)

For N-Female output outline drawing, please contact A-INFO.

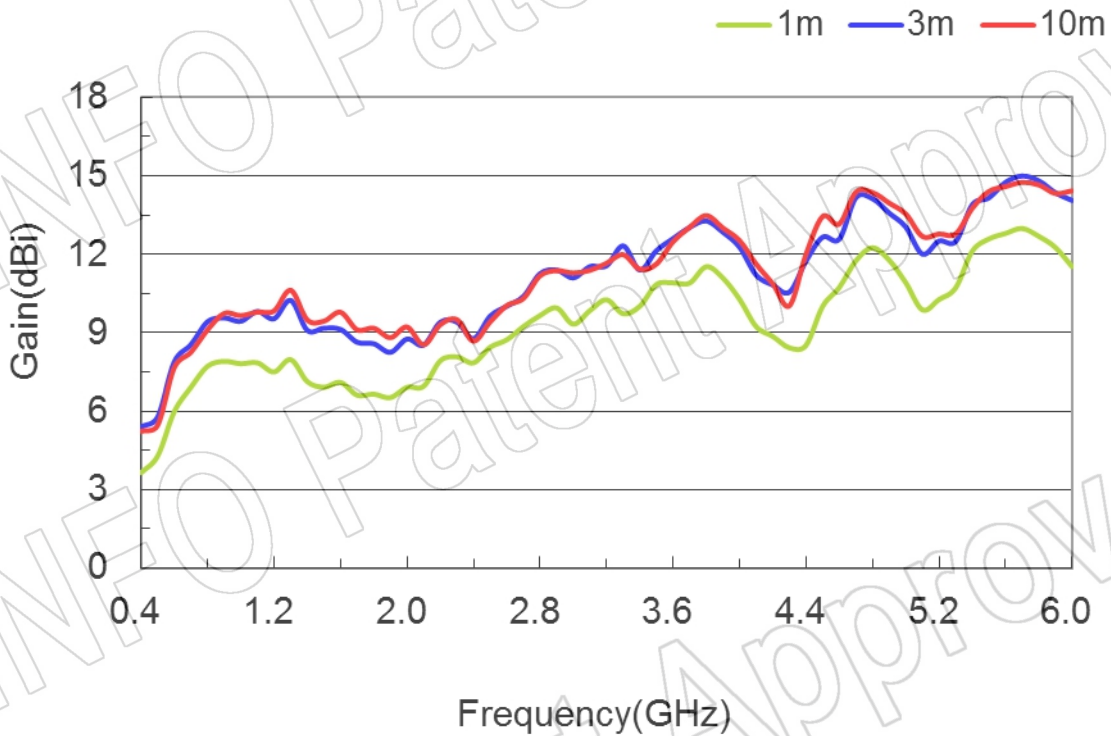


Test Results

1. Gain Port-H

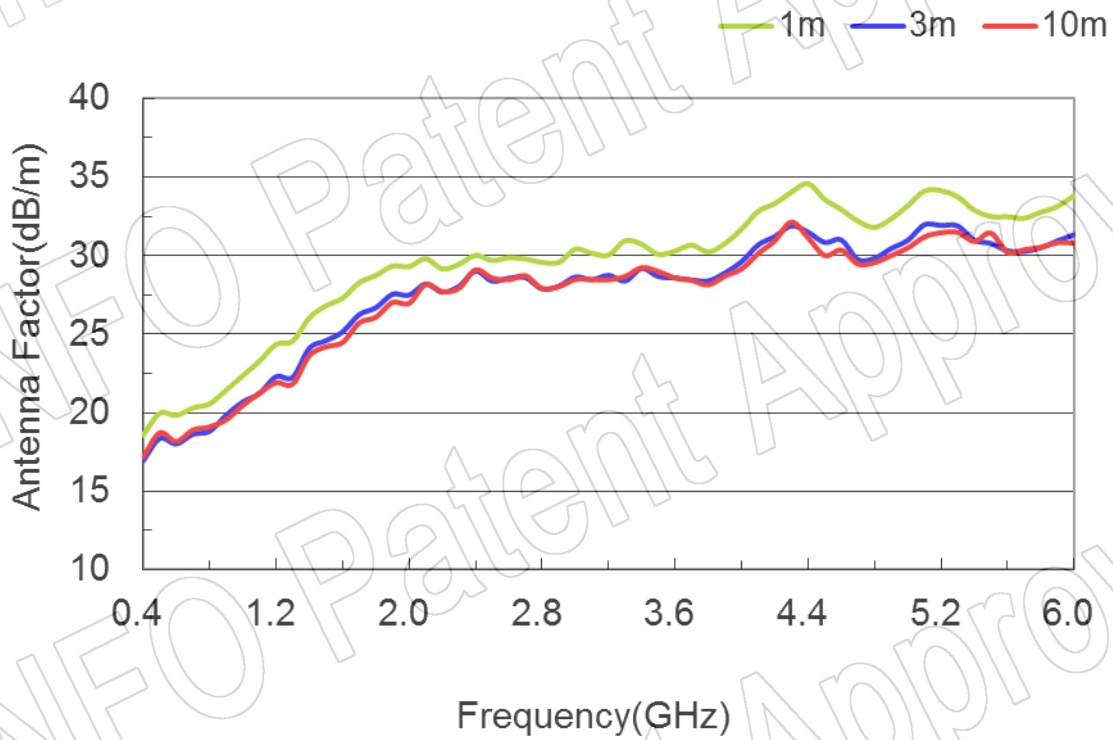


Port-V

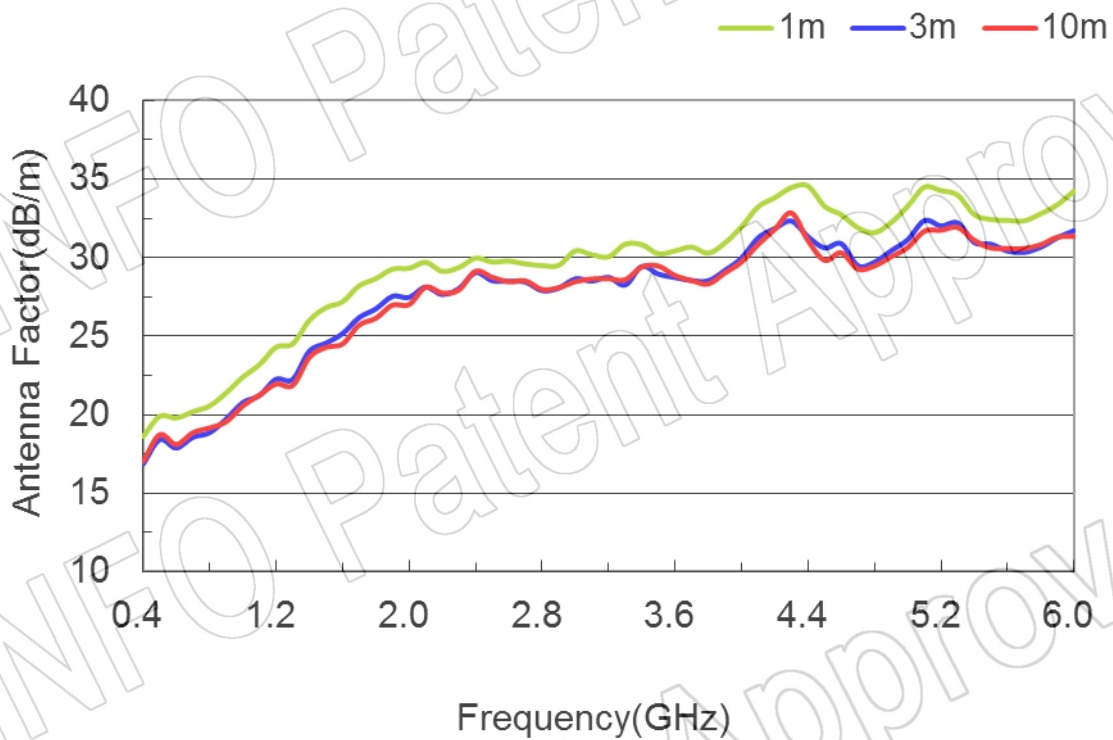


2. Antenna Factor

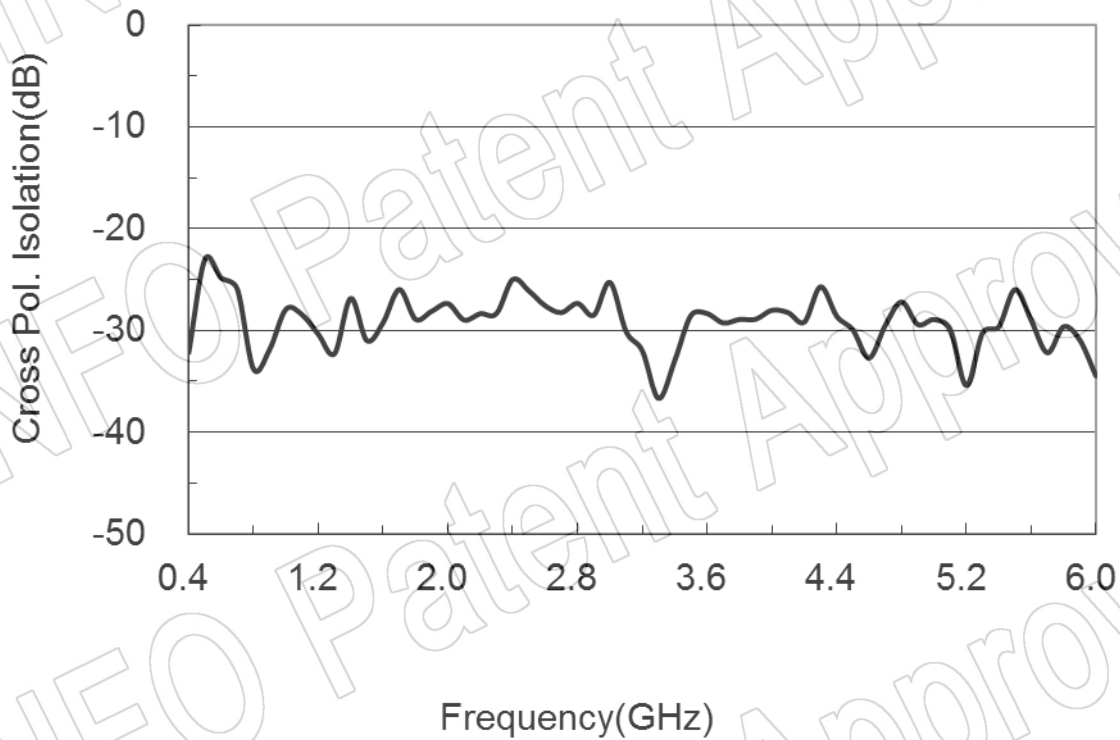
Port-H



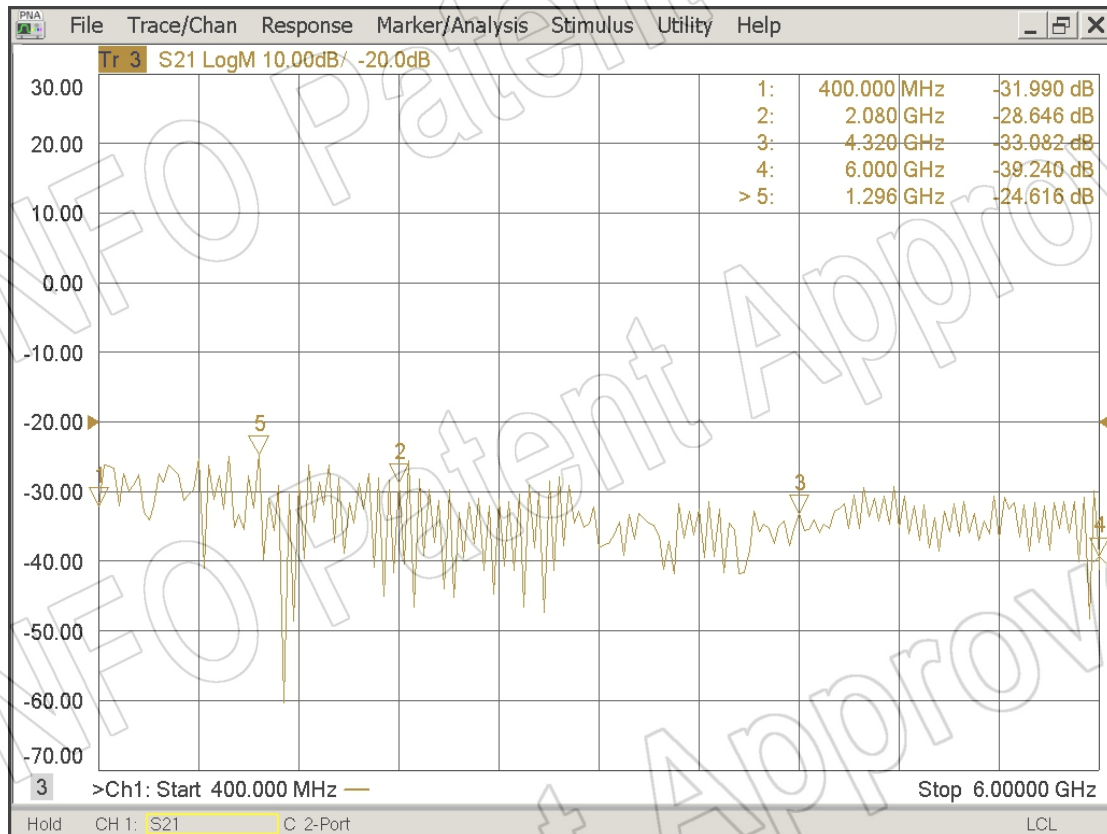
Port-V



3. Cross Polarization Isolation

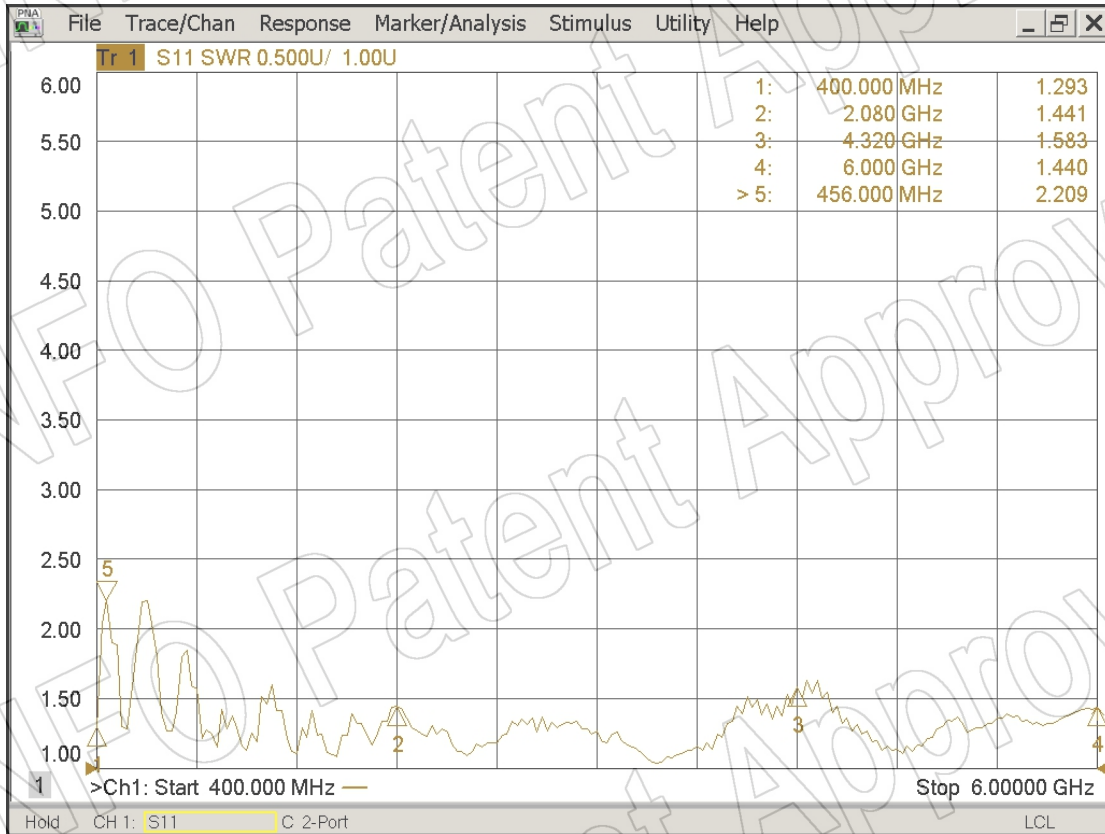


4. Port to Port Isolation

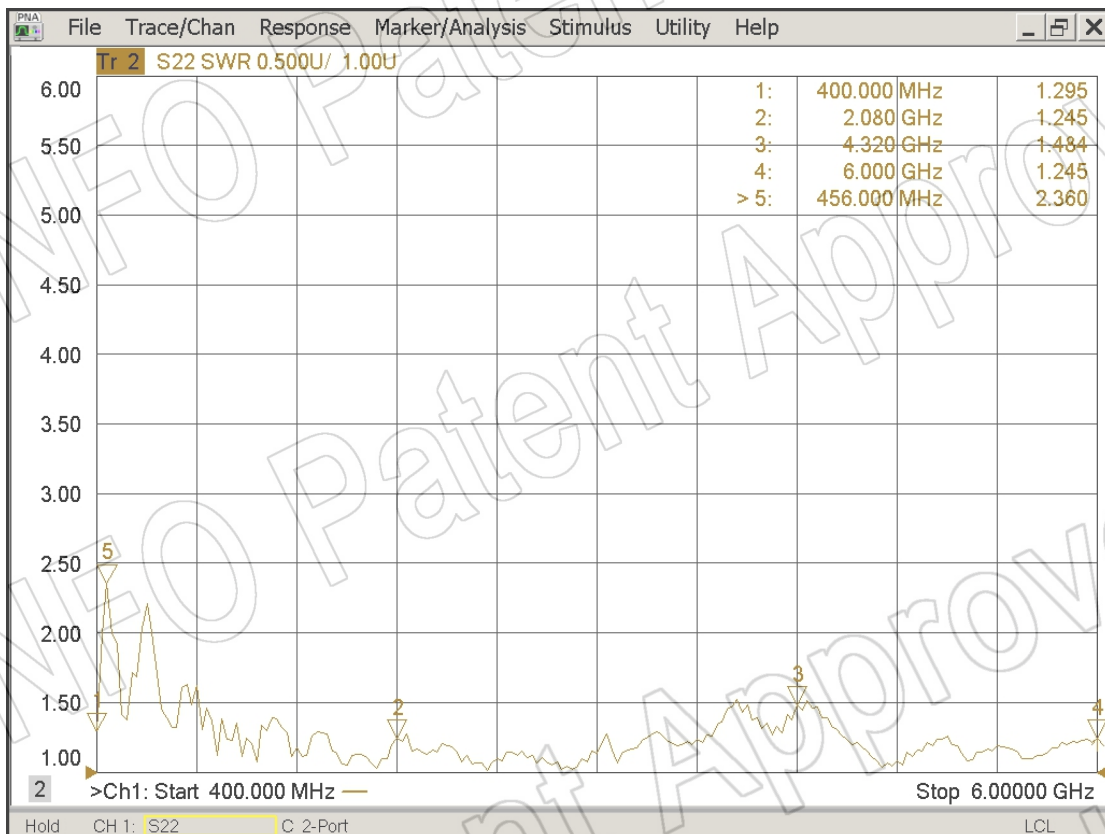


5. VSWR

Port-H

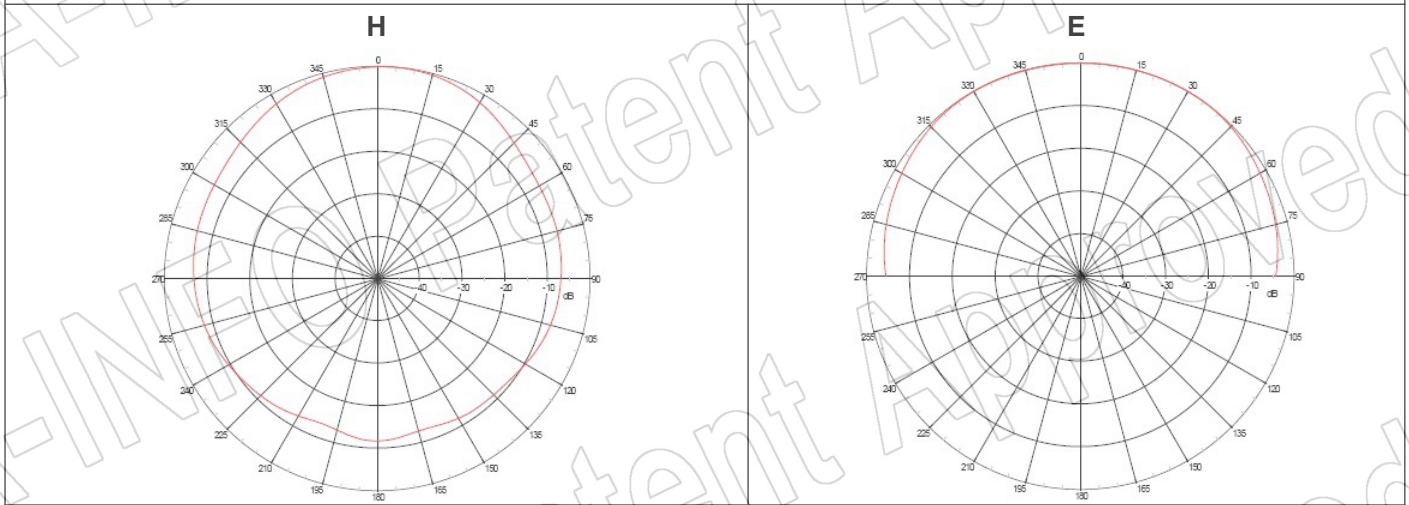


Port-V

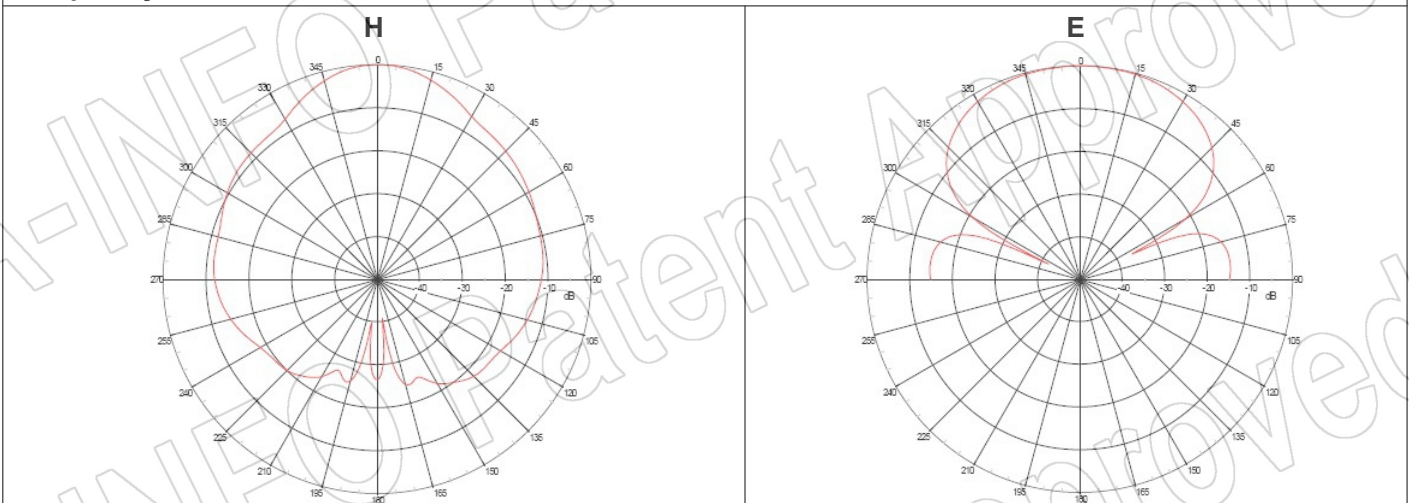


6. Pattern (Tested by NSI - www.nearfield.com)

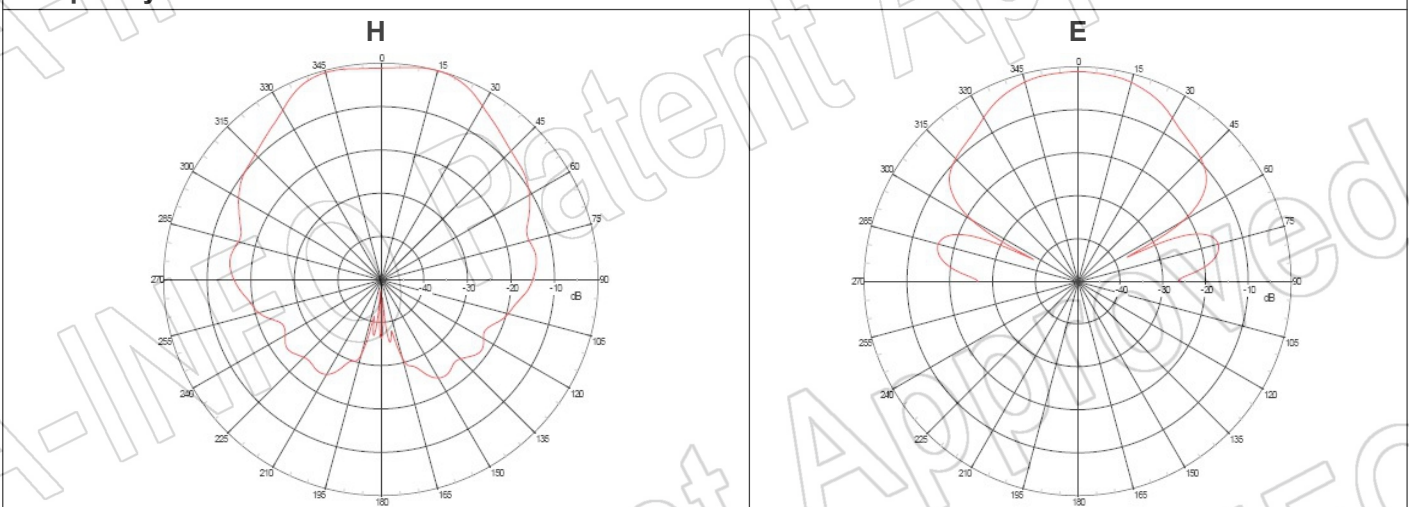
Frequency: 0.4GHz



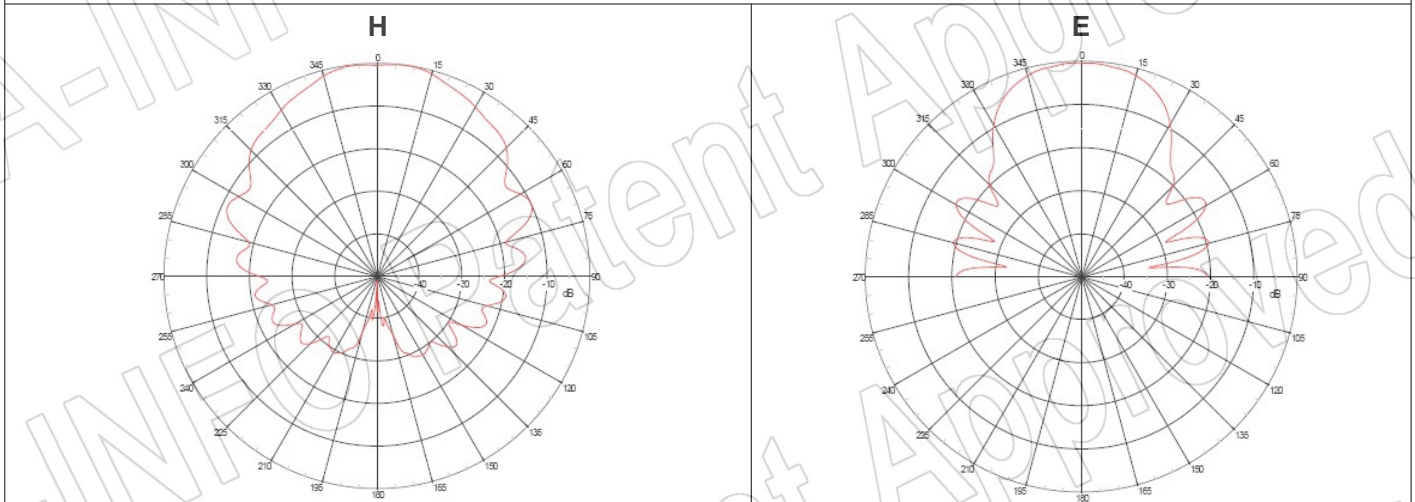
Frequency: 1GHz



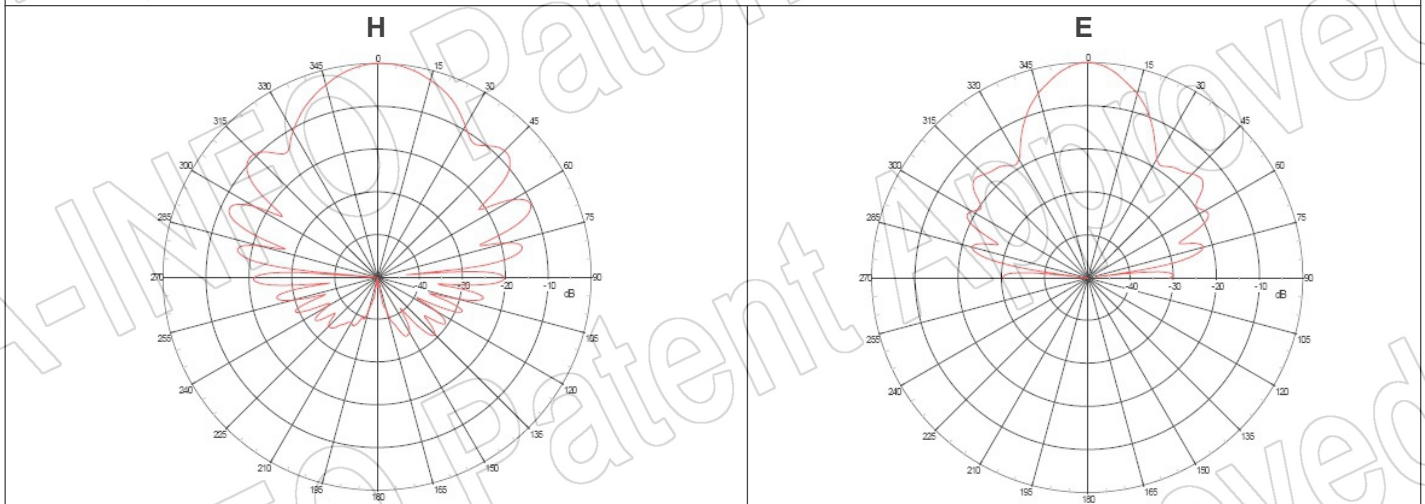
Frequency: 2.0GHz



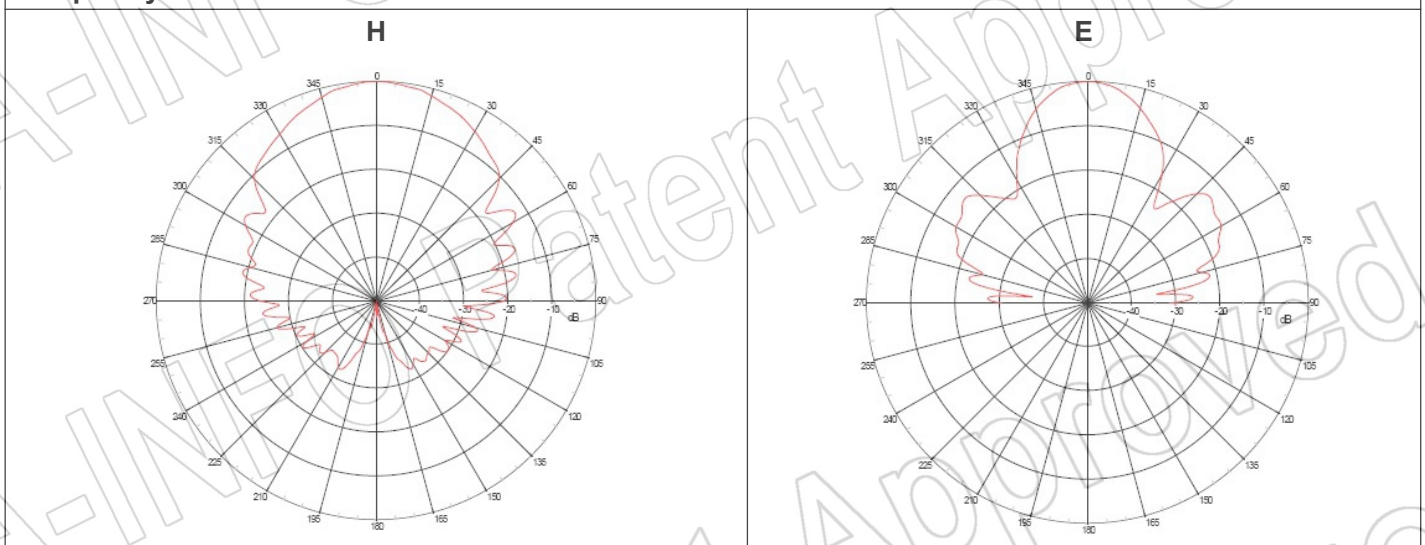
Frequency: 3.0GHz



Frequency: 4.0GHz



Frequency: 5.0GHz



AINFO Inc.

China(Beijing):
China(Chengdu):
USA :

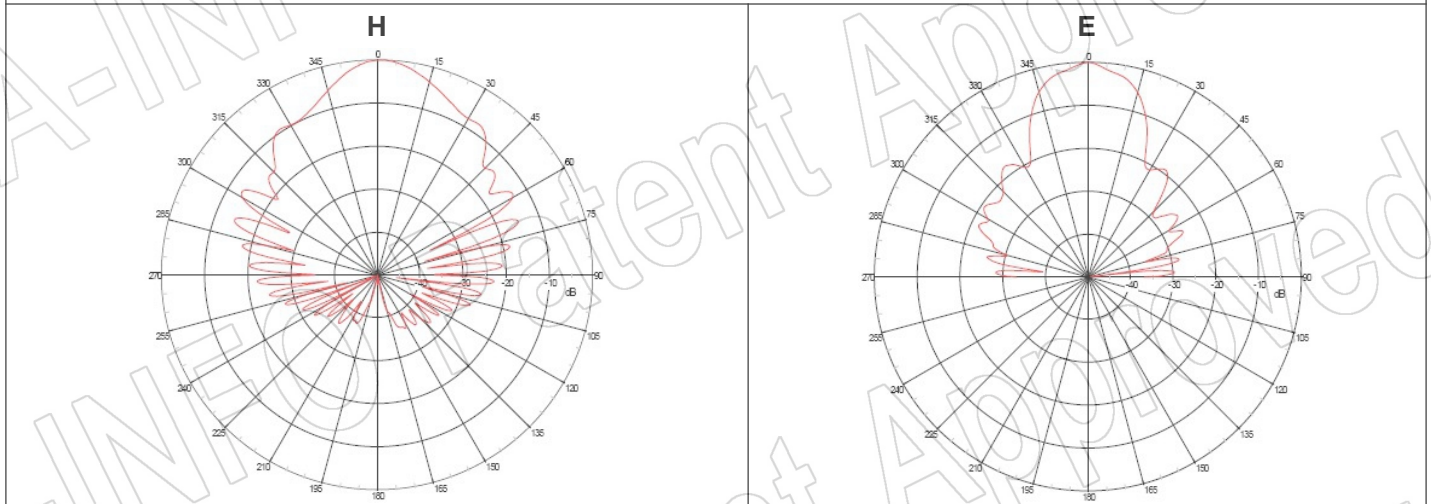
Tel: (+86) 10-6266-7326,
Tel: (+86) 28-8519-2786,
Tel: (+1) 949-639-9688,

(+86) 10-6266-7327
(+86) 28-8519-3044
(+1) 949-639-9608

Fax: (+86) 10-6266-7379
Fax: (+86) 28-8519-3068
Fax: (+1) 949-639-9670

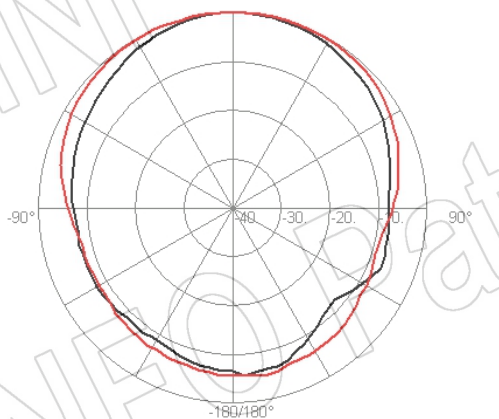
Website: www.ainfoinc.com
Email: sales@ainfoinc.com

Frequency: 6.0GHz



7. Pattern (Tested by A-INFO)

Frequency: 0.4GHz



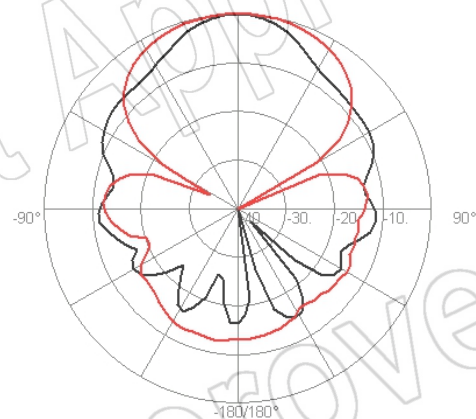
H-Plane

E-Plane

3dB Beamwidth (deg): 136.72

3dB Beamwidth (deg): 89.11

Frequency: 1.0GHz



H-Plane

E-Plane

3dB Beamwidth (deg): 68.28

3dB Beamwidth (deg): 35.84

AINFO Inc.

China(Beijing):
China(Chengdu):
USA :

Tel: (+86) 10-6266-7326,
Tel: (+86) 28-8519-2786,
Tel: (+1) 949-639-9688,

(+86) 10-6266-7327
(+86) 28-8519-3044
(+1) 949-639-9608

Fax: (+86) 10-6266-7379
Fax: (+86) 28-8519-3068
Fax: (+1) 949-639-9670

Website: www.ainfoinc.com
Email: sales@ainfoinc.com

